

9232 / 9232 IP65

small character inkjet printers ■ ■ ■



Markem-Imaje's commitment: to supply the inkjet of tomorrow, today.

By making total cost of ownership and the environment essential to the design of the 9232, Markem-Imaje is firmly committed to constantly enhancing the standards of continuous inkjet technology. The 9232 offers optimum and intuitive management of marking solutions allowing for better control of associated costs, environmental impact and printing performance.

Cost reduction

- Enhanced ink cartridge life to print up to 90 million characters per liter as standard.
- Additive consumption can be reduced by up to 2.5 ml/h at 20°C*.
- Time between maintenance operations is extended to 18 months*.

Operation optimization

- New, revolutionary user interface with 7-inch wide color touch screen.
- Real-time display of remaining print capacity and tracking of consumption, printer availability and maintenance procedures.
- Fast, safe consumable changing, with no need to stop printing.
- Table-top or vertical mounting.



Unmatched reliability

- Excellent availability ratio of up to 99.6%* without assistance due to its new ink circuit and innovative printhead.
- 18-month warranty for hardware*.
- IP55 stainless steel cabinet requiring no plant air.

High-performance printing

- Print speed of up to 6.6 m/s.
- Font height of up to 32 dots.
- Optional ultrarapid mode for high-speed printing.

Eco-initiatives

- Over 80% recyclable materials.
- New multi-use ketone-free and MEK-free inks.
- Complies with RoHS standards.
- Electric power is limited to 60 VA reducing power consumption.



markem·imaje

*See conditions defined by Markem-Imaje.
Availability ratio = Uptime / (Uptime + Downtime)

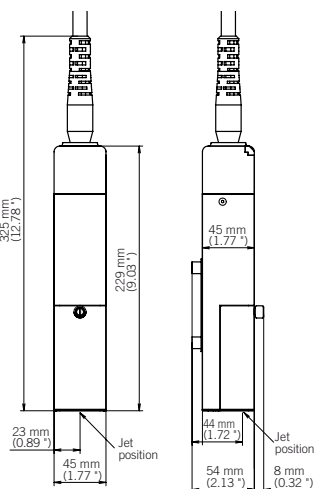
Print features ■ ■ ■

- Mono-jet printhead
- G head (printing resolution: 71 dpi)
- Up to 5 lines of print
- Print speed: up to 6.6 m/s
- Font height from 5 to 32 dots
- Character height: from 1.8 to 11.4 mm
- Wide choice of 1D and 2D barcodes (Datamatrix)
- Wide choice of characters (Latin, Japanese, Chinese, Korean, etc.)

Printhead

Minimum radius of curvature of the umbilical:

- Static: 100 mm (3.93")
- Dynamic: 150 mm (5.90")



Operations ■ ■ ■

- Message library (up to 1000 messages)
- International operator/machine interface with a wide choice of languages
- WYSIWYG 7-inch wide touch screen: real-time display of remaining print capacity expressed in hours and number of messages; integrated assistance and alert system; simplified message printing and management; and creation of user profiles
- USB and SD ports
- Jet Speed Control guarantees marking quality
- Automatic selection of fonts, depending on print speed and printhead/object distance
- Broad range of inks: multi-use, high-performance or high-contrast inks; alcohol-based, ketone-free and MEK-free inks available
- Sealed 0.8-liter cartridges with foolproofing system
- Quick connect/disconnect of accessories (photocell, alarm and encoder)
- Ethernet connectivity

Other characteristics ■ ■ ■

- Weight: 25 kg
- Table-top or vertical mounting
- Ultra-flexible 3-meter umbilical cable
- Stainless steel cabinet and printhead case
- Dust/humidity protection rating: IP55 not requiring plant air
- Operating temperature range: 0 to 40°C depending on ink used
- Humidity: 10 to 90% non-condensing
- Electrical power supply: 100-120 V or 200-240 V with automatic switching; frequency 50/60 Hz; power 60 VA

Options ■ ■ ■

- Ultra-flexible 5-meter umbilical cable
- IP65 protection (requires plant air)
- Ultrarapid mode for high-speed printing
- Printhead pressurization kit
- RS-232/422 connectivity, parallel interface, many I/O possibilities to enable remote operation

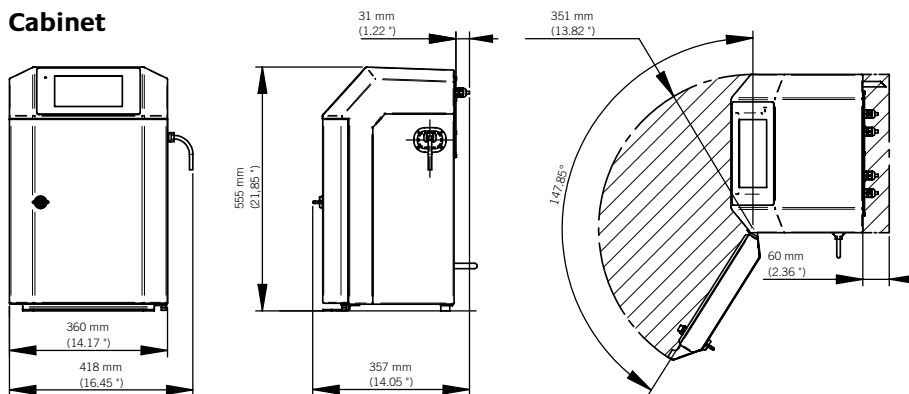
Accessories ■ ■ ■

- Printer stand (stainless steel or aluminum)
- Printhead stand (stainless steel)
- Different printhead brackets
- Wall mounting bracket
- Photocells
- Encoders
- Alarm beacons (24 V)

PC software ■ ■ ■

- Compatible with CoLOS Create Professional and CoLOS Enterprise
- Logo creation with CoLOS Graphics

Cabinet



To learn more, visit www.markem-imaje.com



We reserve the right to amend the design and/or specifications of our products without notice.

9, rue Gaspard Monge
B.P. 110
26501 Bourg-lès-Valence Cedex - France
Tel.: +33 (0) 4 75 75 55 00
Fax: +33 (0) 4 75 82 98 10

150 Congress Street
Keene, NH 03431
United States of America
Tel.: +1 800-258-5356
Fax: +1 603-357-1835



markem·imaje

A Company